

Ball Screws for ISO (DIN) Standard

NSG Series

Vol.31.0

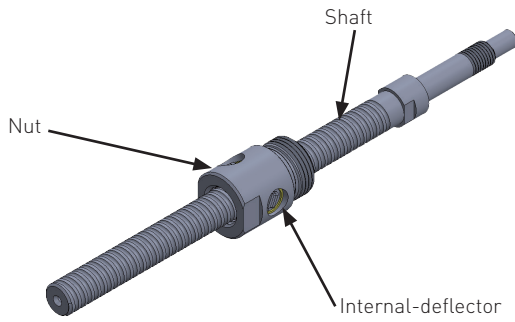


● Features

- Ball Screws with Nut outer diameter conforming to ISO standard (ISO 3408-2 series1 / DIN 69051-5).
- Reinforced recirculating device and optimized Ball track of circulation improve reliability of rotational performance and durability.
- Designed with respect for SDGs.
M-thread Nuts are standardized and adhesive-free to reduce disposal loss.

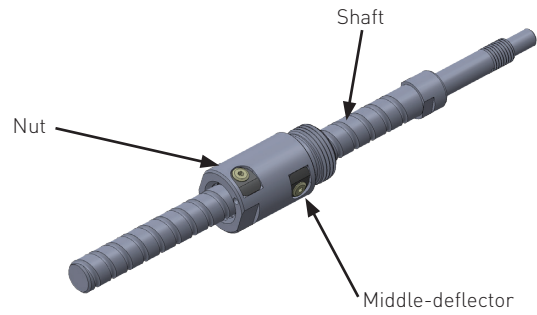
● Construction of Ball Screw

【Internal-deflector system】



Adopted to screw lead 1mm and 2mm

【Middle-deflector system】



Adopted to screw lead 4mm and 5mm

● Accuracy Grade & Axial play

Accuracy grade of NSG series is based on C3 and C5 (JIS B 1192-3).
According to accuracy grade, Axial play 0 (Preload : C3) and 0.005mm or less (C5) are available.
※Rolled Ball Screw is also available. Please ask KSS if you require Rolled Ball Screws.

● Material & Surface hardness

NSG series consists of Shaft and Nut materials SCM415 (Carburizing and quenching) and Surface hardness is HRC58~62.

● Lubrication

If there is no specific instruction, KSS would recommend our original Grease (MSG No.2) as standard lubricant.

● Model number notation

NSG F 04 01 Z — 063 R 095 C3

① ② ③ ④ ⑤ — ⑥ ⑦ ⑧ ⑨

- ① Ball Screws Series No.
- ② Nut type
None: Single Nut with M-thread
F: Single Nut with Flange
- ③ Screw Shaft nominal diameter (mm)
- ④ Lead (mm)
- ⑤ Customized product identification
Z: Customized products
- ⑥ Screw thread length (mm)
- ⑦ Thread direction (R=Right-hand)
- ⑧ Screw Shaft total length (mm)
- ⑨ Accuracy grade (C3 or C5)

kss CO., LTD.
www.kssballscrew.com

1-22-14 Yaguchi, Ohta-ku, Tokyo 146-0093, Japan
Tel : +81-3-3756-3921 Fax : +81-3-3756-3191
mail : intldept@kss-superdrive.co.jp

202404 Copyright© KSS Co., Ltd. All Rights Reserved

ケーエスエス株式会社
www.kss-superdrive.co.jp

mail : sales@kss-superdrive.co.jp

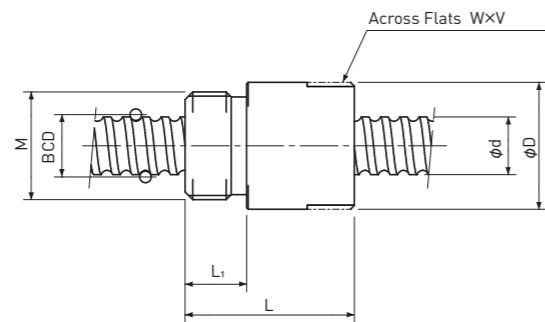
本社 〒146-0093 東京都大田区矢口 1-22-14
TEL. : 03-3756-3921 FAX. : 03-3756-3232

小千谷出張所 〒947-0043 新潟県小千谷市大字山谷字新保 4-14
TEL. : 0258-89-6257 FAX. : 0258-81-1339



Single Nut with M-thread

Backlash type/Preload type



Unit:mm

Model number	Shaft nominal dia. d	Lead	BCD	Basic Load Rating N		Nut dimension						Model number
				Dynamic Ca	Static Coa	D	L	L ₁	Across Flats width W	Across Flats length V	M	
NSG0401	4	1	4.15	450 / 450	600 / 600	11	19	5	10	3	M9x0.75	NSG0401
NSG0601	6	1	6.20	560 / 560	950 / 950	12	20	6	10	3	M10x1.0	NSG0601
NSG0602	6	2	6.20	770 / 770	1150 / 1150	12	21	6	10	3	M10x1.0	NSG0602
NSG0801	8	1	8.20	650 / 650	1300 / 1300	16	22	8	14	5	M14x1.0	NSG0801
NSG0802	8	2	8.30	1300 / 1300	2300 / 2300	16	23	8	14	5	M14x1.0	NSG0802
NSG0805	8	5	8.30	1850 / 1150	3000 / 1500	16	30.5	8	14	5	M14x1.0	NSG0805
NSG1002	10	2	10.30	2050 / 2050	3650 / 3650	19	27	8	17	5	M16x1.0	NSG1002
NSG1004	10	4	10.30	3000 / 1800	5200 / 2600	19	28	8	17	5	M16x1.0	NSG1004
NSG1202	12	2	12.30	2250 / 2250	4550 / 4550	24	28	8	22	5	M20x1.0	NSG1202
NSG1204	12	4	12.30	4100 / 2500	7400 / 3700	24	29	8	22	5	M20x1.0	NSG1204

Note 1) NSG0401 is not specified in DIN standard, therefore conforms to the ISO standard.
 Note 2) Flange type Nut is available as an option.

